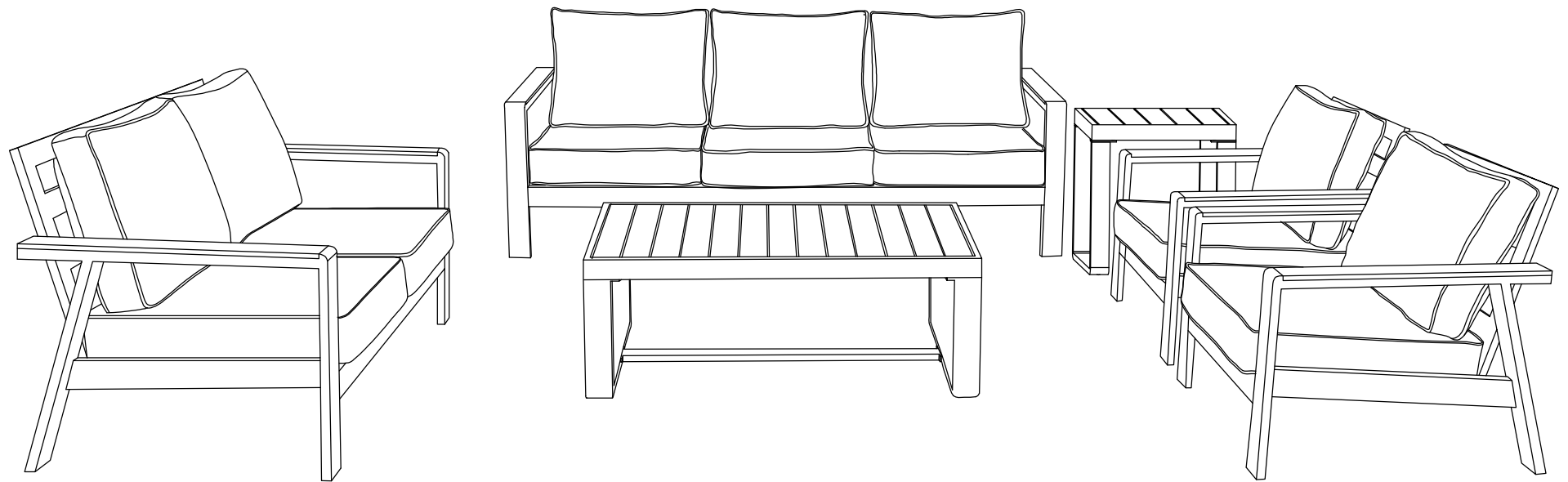
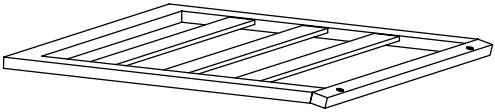
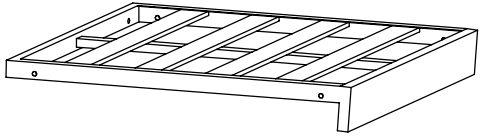
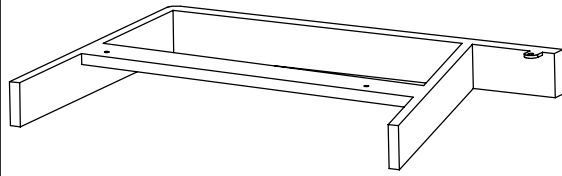
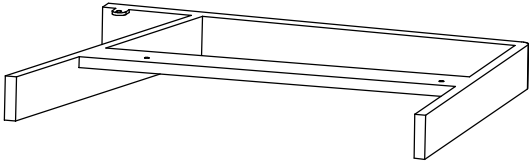
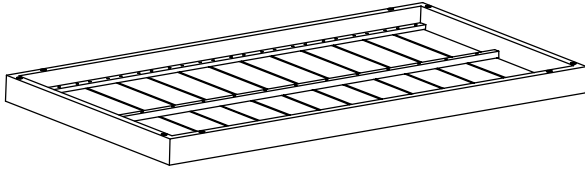
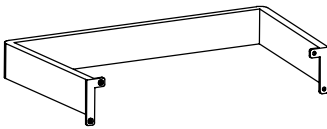

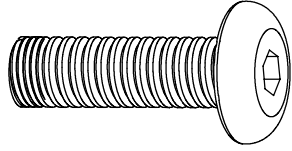
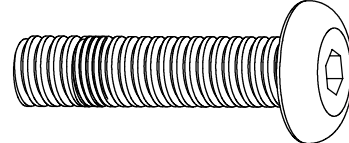

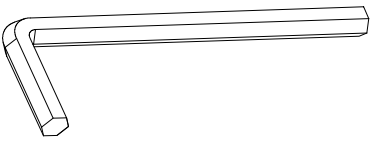
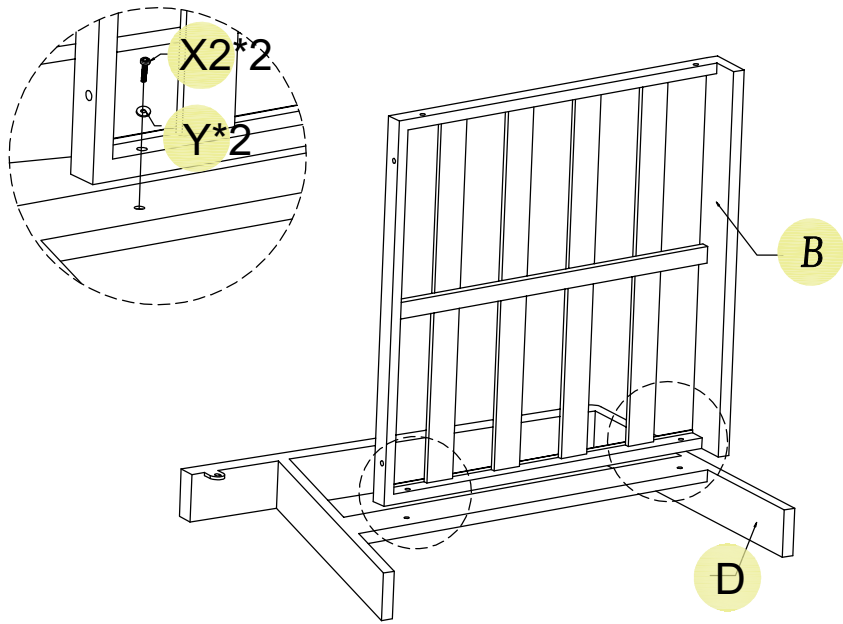


# *Assembly Instruction*

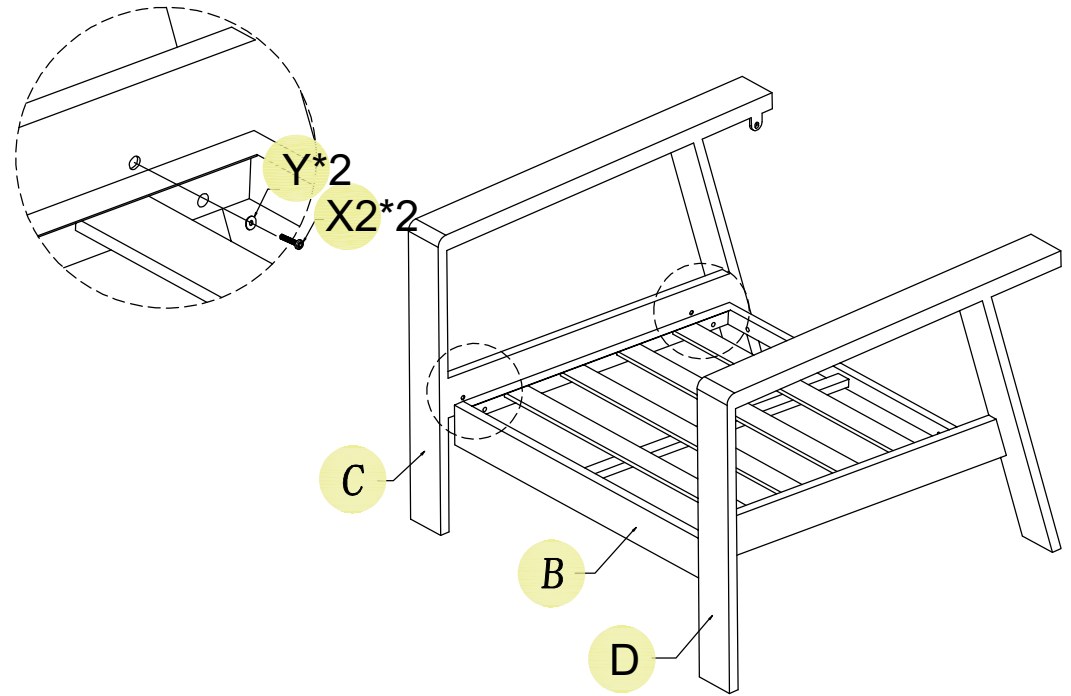


NO.		QTY	NO.		QTY	NO.		QTY
A		2	B		2	C		2
D		2	E		1	F		2
G		1	X1	 M6*20	16	X2	 M6*35	12
Y		28	Z		1			

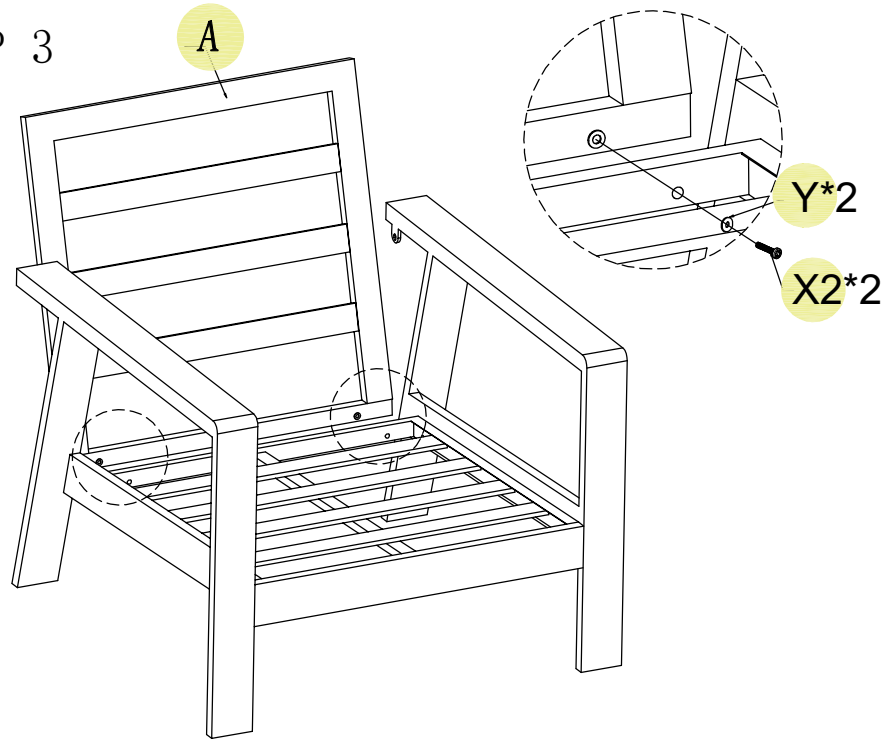
STEP 1



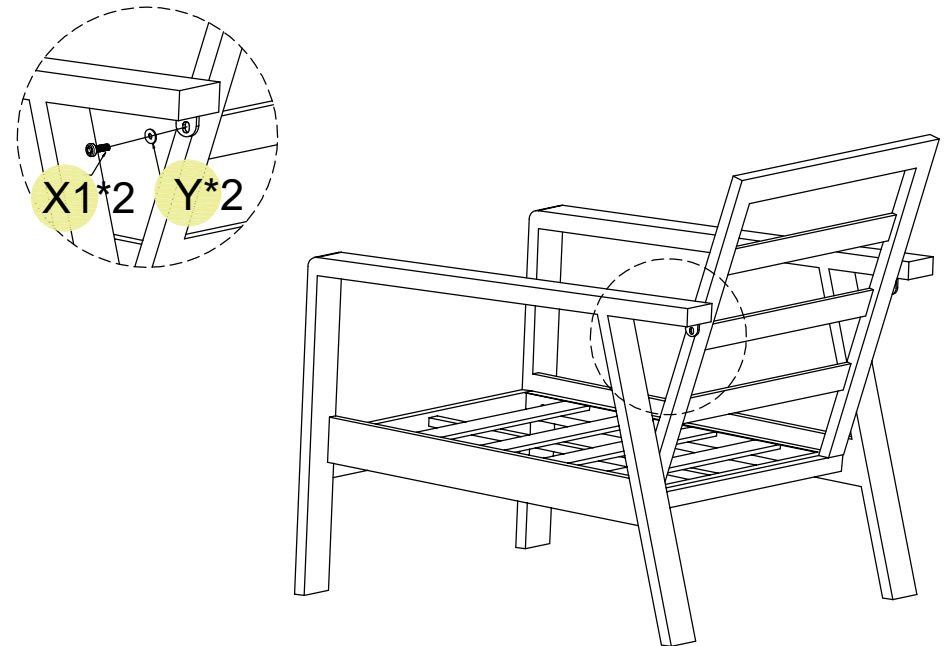
STEP 2



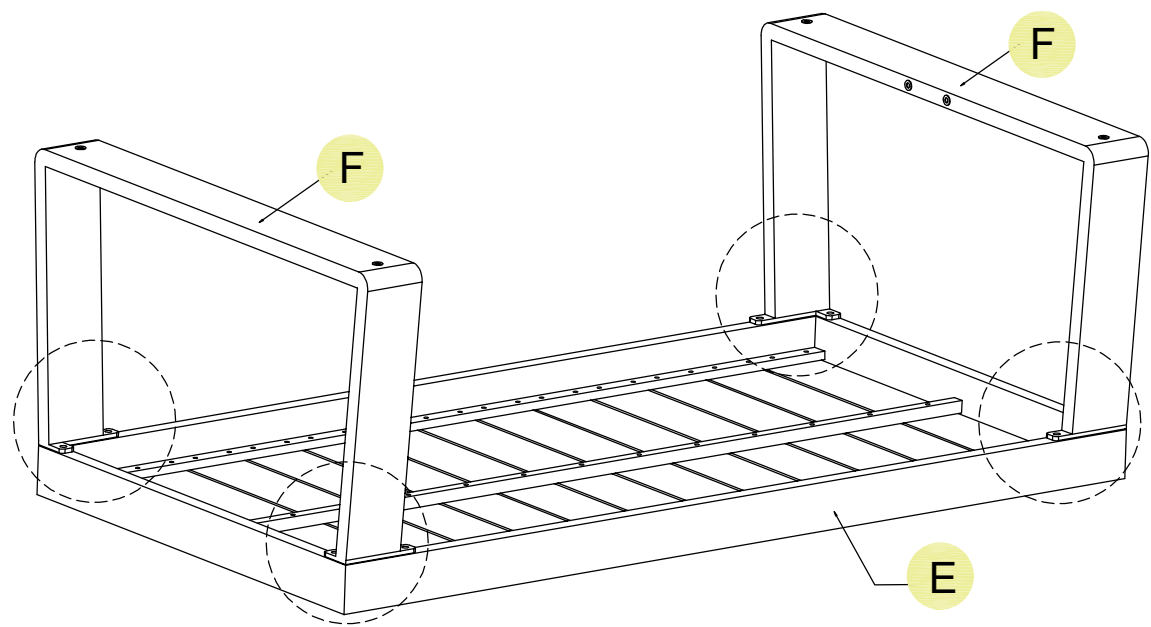
STEP 3



STEP 4



STEP 1



STEP 2

